

### PC1 Power Supply

#### Description

The PC1 is designed as a convenient 12VDC power supply for use with a 115 VAC outlet. Terminals allow user connection of wiring on the low-voltage side. Since this is an unregulated power supply, actual voltage may be as high as 16 VDC, depending on load.

#### Specifications

|                                |   |
|--------------------------------|---|
| <b>Input Power</b>             | 115VAC/60Hz   |
| <b>Output Voltage/Current</b>  | 11.4-12.6VDC@100mA<br>15.4VDC@No Load                 |
| <b>Regulation</b>              | Unregulated   |
| <b>Screw Terminal Size</b>     | 18 AWG  |
| <b>Dimensions</b>              | 81 x 56 x 49mm<br>(3.19"l x 2.20"w x 1.93"h)          |
| <b>Operating Temp.</b>         | 0-60°C  |
| <b>Safety Agency Approvals</b> | UL1310<br>UL tested and approved<br>to CSA C22.2 #223 |

### PC2 Power Supply

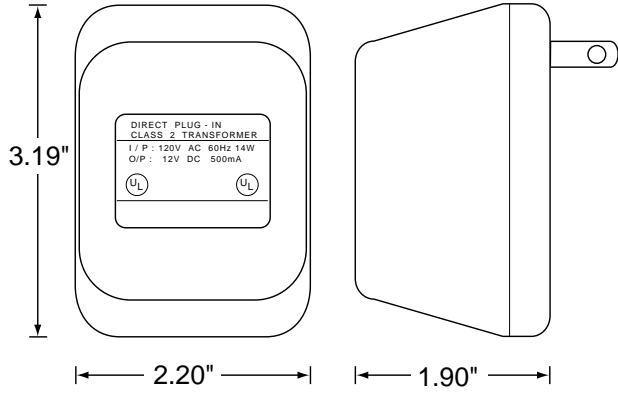
#### Description

The PC2 is a terminal-by-terminal supply, designed for use in the protected environment of a panel or enclosure. This compact unit is regulated at 24 VDC, and is well-suited for powering a 4-20 mA loop.

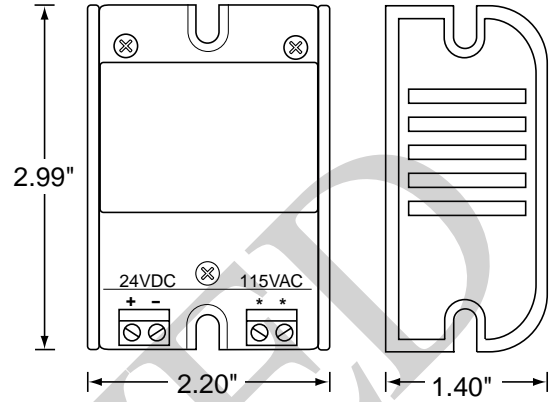
#### Specifications

|                               |  |
|-------------------------------|--|
| <b>Input Power</b>            | 115VAC/60Hz (External fuse recommended)        |
| <b>Output Voltage/Current</b> | 24VDC +/-1.0VDC@100mA                          |
| <b>Regulation</b>             | +/-1.0% (line and load)                        |
| <b>Ripple and Noise</b>       | 1mV RMS  |
| <b>Screw Terminal Size</b>    | 18 AWG   |
| <b>Dimensions</b>             | 76 x 56 x 35.5mm<br>(2.99"l x 2.20"w x 1.40"h) |
| <b>Operating Temp.</b>        | 0-60°C   |

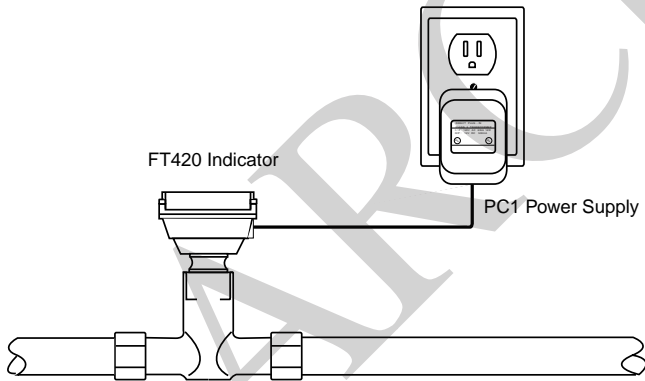
## PC1 Dimensions



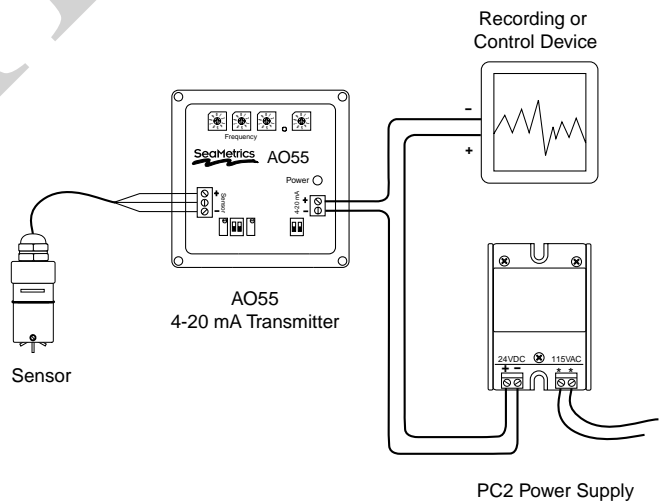
## PC2 Dimensions



## PC1 Application Diagram



## PC2 Application Diagram



**SeaMetrics**

20419 80th Ave. So., Kent, WA 98032 USA  
 Phone: 253-872-0284 Fax: 253-872-0285  
[www.seametrics.com](http://www.seametrics.com) 1-800-975-8153