

Your security cover kit (104027) comes with the following (shown above):

- |           |                           |
|-----------|---------------------------|
| 1) 102021 | Display Cover             |
| 2) 100853 | Seal, Security with Wire  |
| 3) 100871 | Screw, 10-24 Security (2) |
| 4) 100945 | Washer, #10 (2)           |

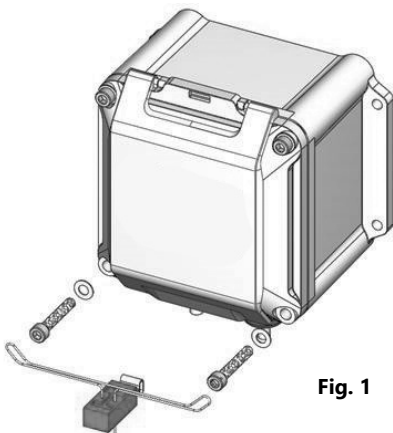


Fig. 1

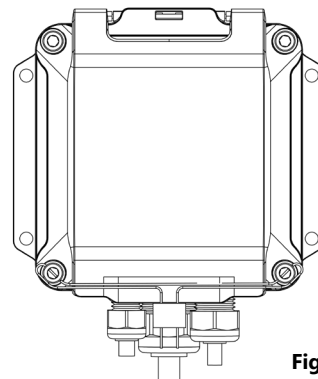


Fig. 2

### Assemble as shown in Figure 1

Replace screws and washers on FT4XX display with security screws and washers then snap on display cover. Thread security wire through security screws, over cover and through security seal (Figure 2).