

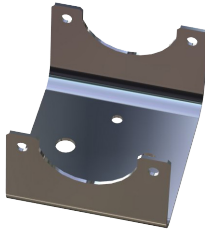
## Components



PE202-0XX  
Electromagnetic  
Low Flow Meter



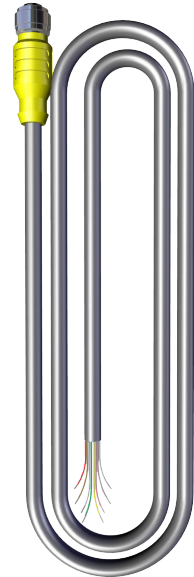
Note: 3/8" male  
NPT fittings are  
gray colored.



101216  
Mounting Bracket



103634-06-500  
x4 Bracket Screws

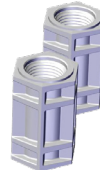


101422  
8-Pin, 6 Meter  
Shielded Output Cable

## Optional



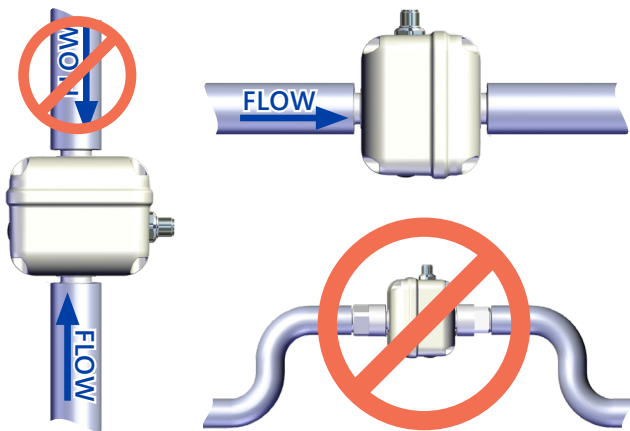
1/4", 3/8", 1/2", or 3/4"  
PP or PVDF MNPT  
Adapter Kit



1/2" PVDF  
FNPT Adapter Kit

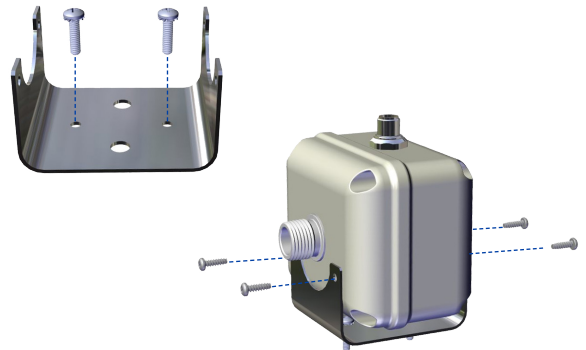
## Positioning

The PE202 may be mounted vertically or horizontally.  
Choose a position that will ensure a full pipe.



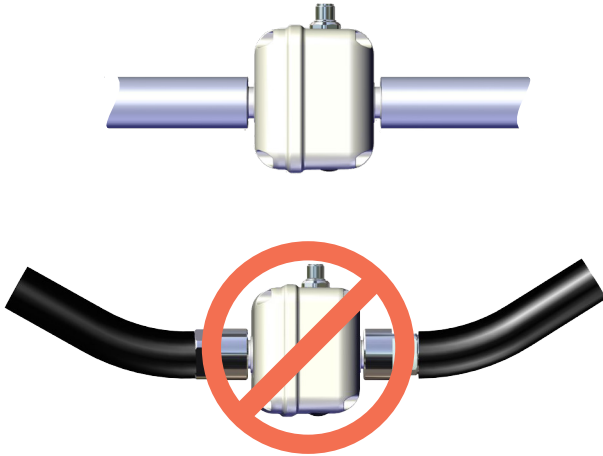
## Mounting Plate

It is highly recommended to use the mounting bracket  
provided. The mounting bracket uses two #8 screws  
(not included) on a 1.5 inch bolt pattern.



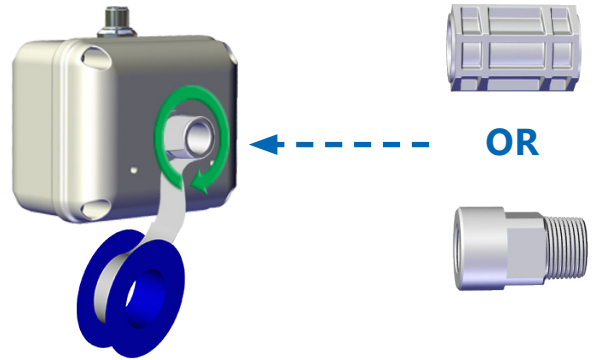
## Pipe Mounting

The PE202 may be supported by its piping connections if the piping is rigid with no flexion at the fittings.



## Adapter Kit (Optional)

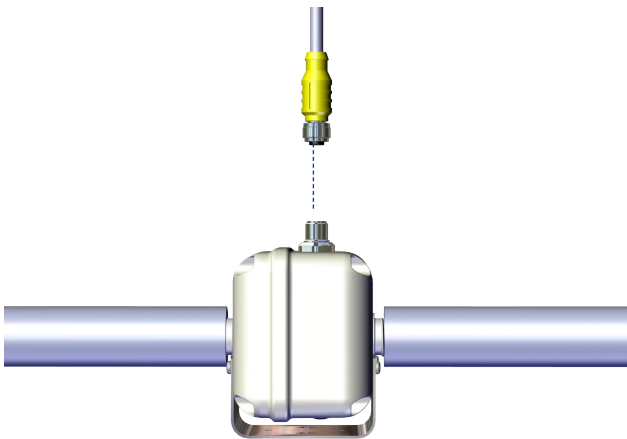
The standard NPT fittings can be used with or without adapters.



Thoroughly clean the pipe threads and nose and apply Teflon tape (not included) to male threads. Hold adapter with wrench while tightening the pipe to prevent damage to the meter.

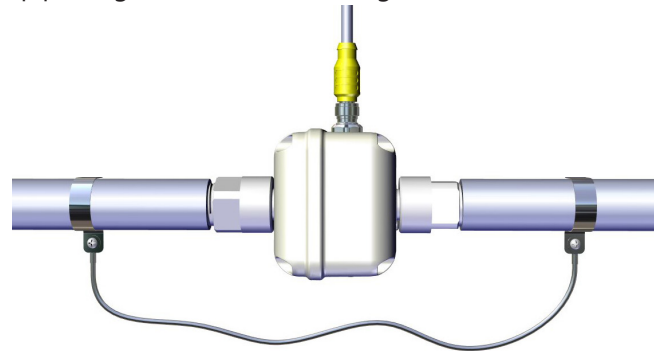
## Cable Connection

Power and signal connections are provided through the 8-pin male bulkhead connector on the meter housing.



## \*Grounding Metal Pipe

For best metering accuracy, jumper the inlet and outlet pipes together and connect to ground for best results.



*\*If piping is non-metallic, it is recommended that additional metal fittings be attached at both ends and connected together with a 12AWG or larger equalization jumper.*

To complete your installation, please see 'CONNECTIONS' in your PE202 instruction manual for power supply connection information.

For the most recent PE202 instruction manual please visit: [seametrics.com/downloads](http://seametrics.com/downloads).