

Components

AO55 Wall Mount Unit



AO55 Meter Mount Unit



Recommended Tools

- Hex wrench (5/32" or 4 mm)—for opening the cover
- Small flat head screw driver—for adjusting frequency and connecting wiring

Setting Frequency

Loosen the screws and then remove the upper portion of the housing.

1. Decide what flow rate should represent the top of the scale. This is ordinarily the maximum expected flow, or a value just above it, in gallons per minute.
2. Locate the K-factor of the flow sensor (found on the meter or fitting, or in the instruction manual, depending on meter model). The K-factor is the number of pulses the flow sensor produces per gallon of flow.

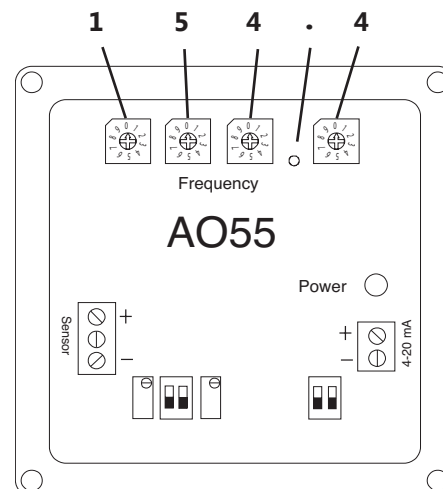
3. Calculate frequency, using this formula:

$$\text{K-Factor} \times \frac{\text{Top Flow (GPM)}}{60} = \text{Frequency}$$

For example:

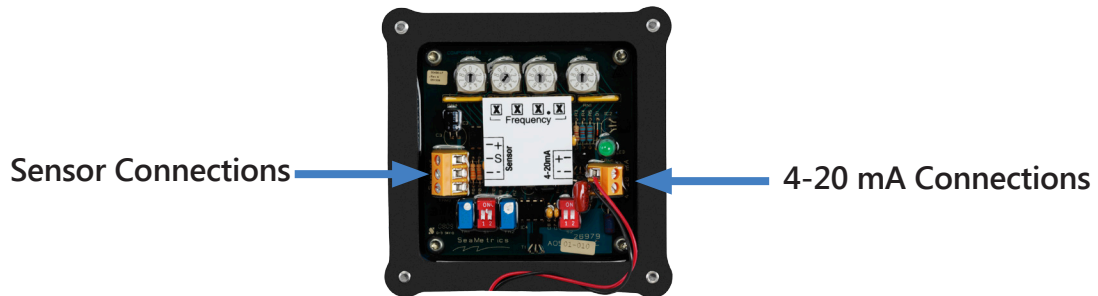
$$54.50 \times \frac{170}{60} = 154.42$$

4. Round to one decimal place and enter the frequency using the four rotary Frequency switches. Note the decimal point between the third and fourth switches.

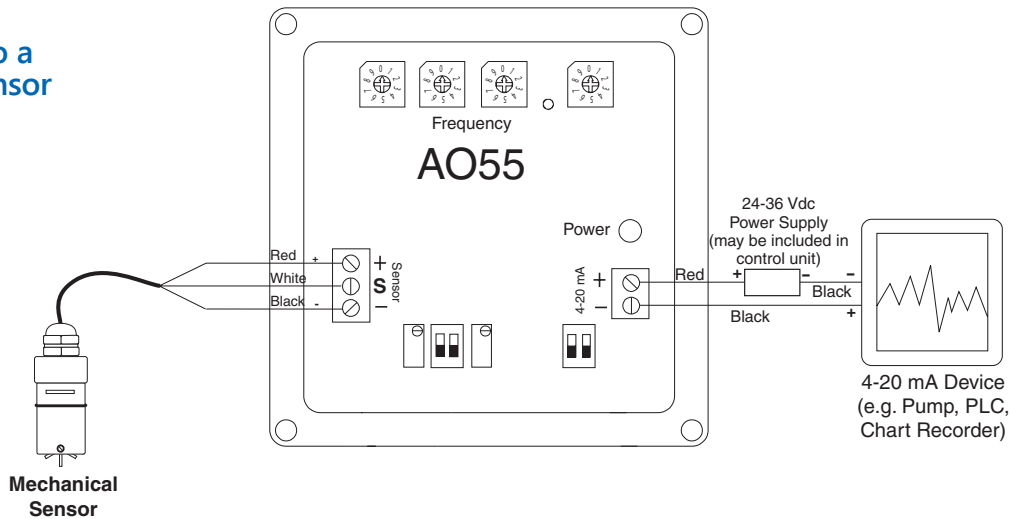


Connections

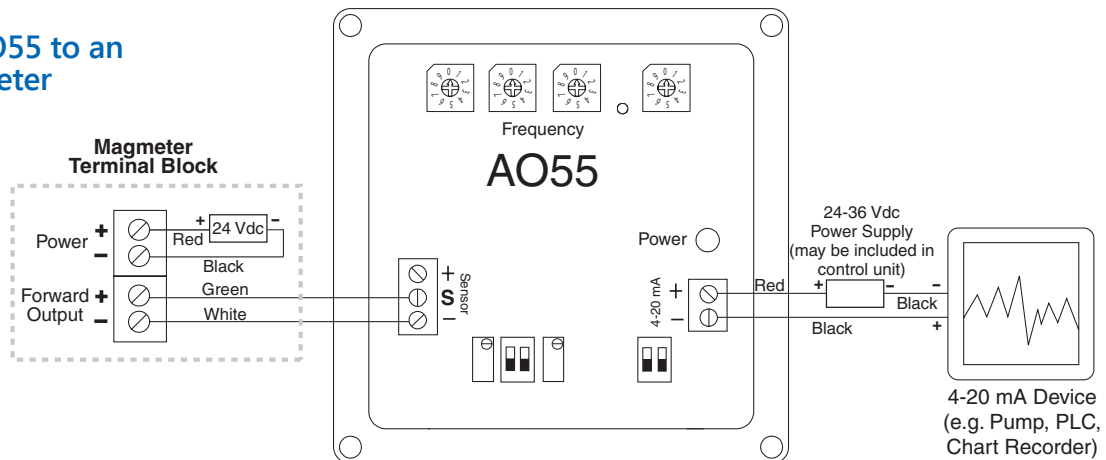
The only connections required on a meter mounted AO55 are the positive and negative 4-20 mA loop connections. If wall mounted, the sensor must also be connected, since it is remote from the transmitter.



Wiring AO55 to a Mechanical Sensor



Wiring AO55 to an EX Magmeter



For detailed information, including averaging time and calibration, please see the AO55 Instructions booklet, available on our web site at: seametrics.com/downloads.