

FEATURES

- No moving parts
- Durable
- Adjustable depth
- Hot-tap available
- Brass or stainless steel
- Immersibility available
- Reverse flow output available

APPLICATIONS

- 3" - 48" pipe (up to 72" optional)
- Clean or "dirty" liquids
- Conductive liquids
- Municipal
- Industrial
- Irrigation

GENERAL INFORMATION

The complete lack of moving parts of the **EX100/200-Series** insertion flow sensor is the source of its reliability. Brass and stainless steel models withstand a variety of temperature, pressure, and chemical conditions. The EX-Series has no rotor to stop turning in dirty water and there are no bearings to wear out. Like all magmeters, when used in chemical injection applications, these meters should be installed upstream of the chemical line (or far enough downstream to allow complete mixing of fluids before the meter).

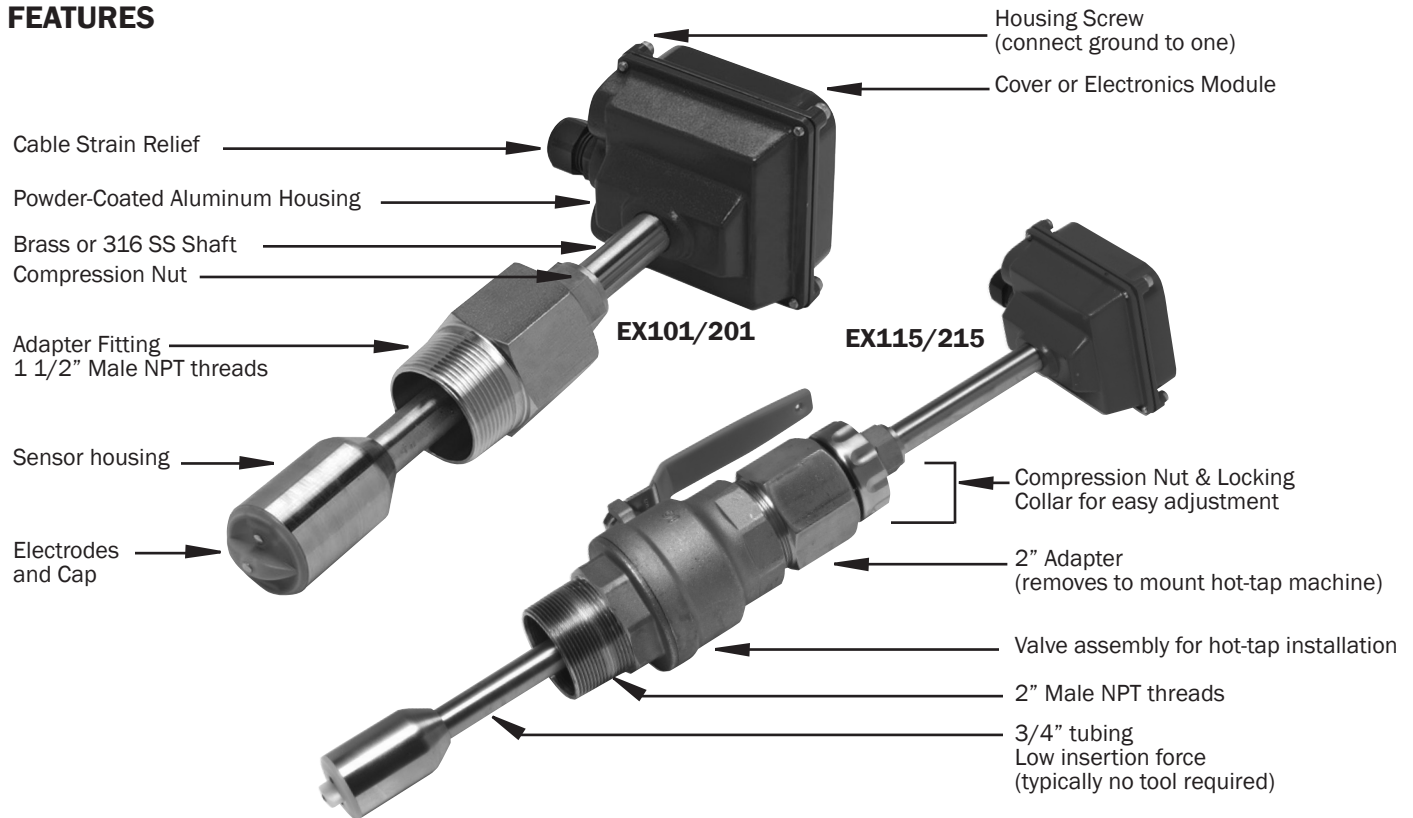
A rapidly reversing magnetic field is produced in the lower housing. As the fluid moves through this field, a voltage is generated that is measured and translated into a frequency signal proportional to flow rate. This square wave signal can be sent directly to a PLC or other control or can be converted using any of the Seametrics family of indicators and converters.

A modular system of electronics can be attached directly to the flow sensor or remotely mounted. The Seametrics FT420 provides full indication of rate and total, plus 4-20 mA output. The AO55 provides blind 4-20 mA output, and the DL76 is a battery-powered data logger.


The adapter fitting of the EX sensor is standard male NPT, and can be directly threaded into ordinary saddles or threaded weld fittings. The EX115 and 215 include an isolation valve, allowing hot-tap installation, or installation and removal under pressure; a bronze ball valve is standard, with a 316 stainless steel valve option if needed.

Reverse flow output and immersibility are optional.

FEATURES

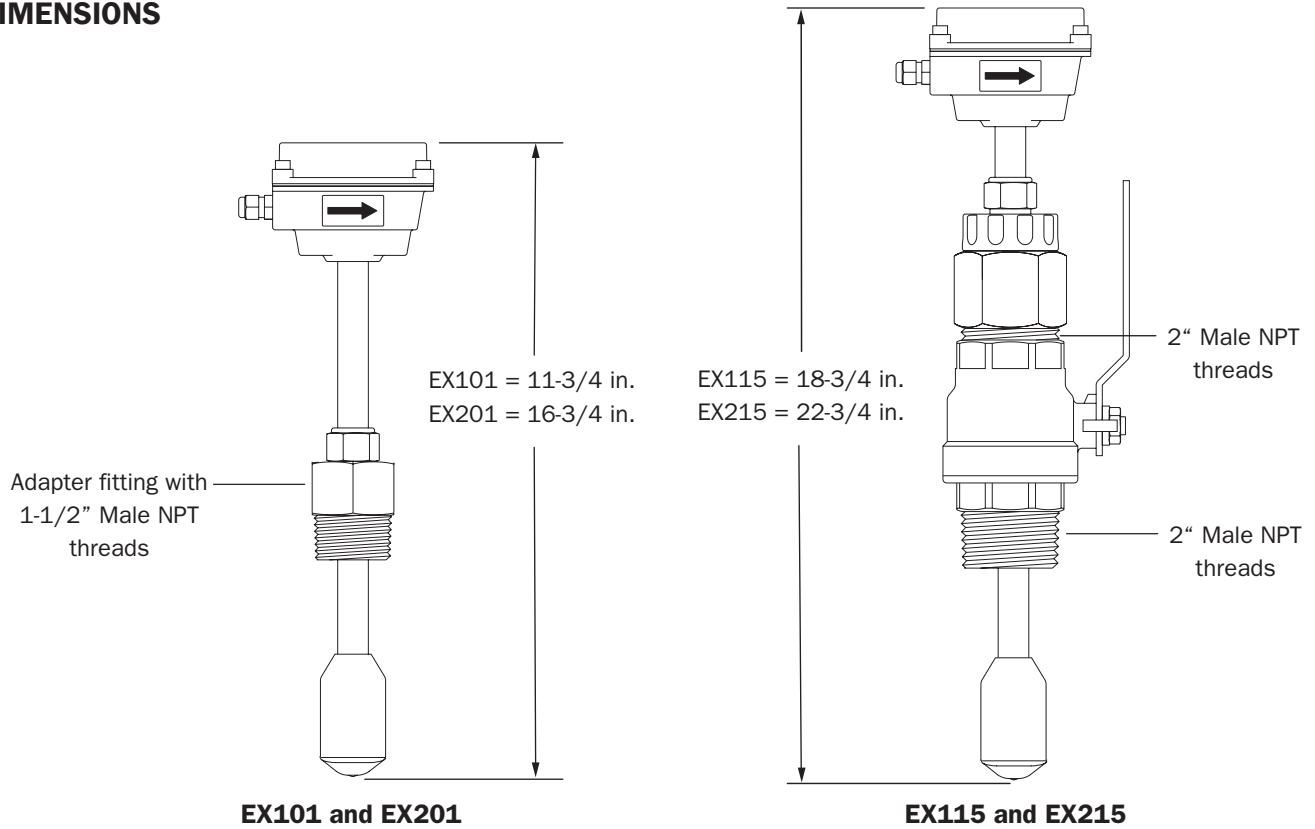


SPECIFICATIONS*

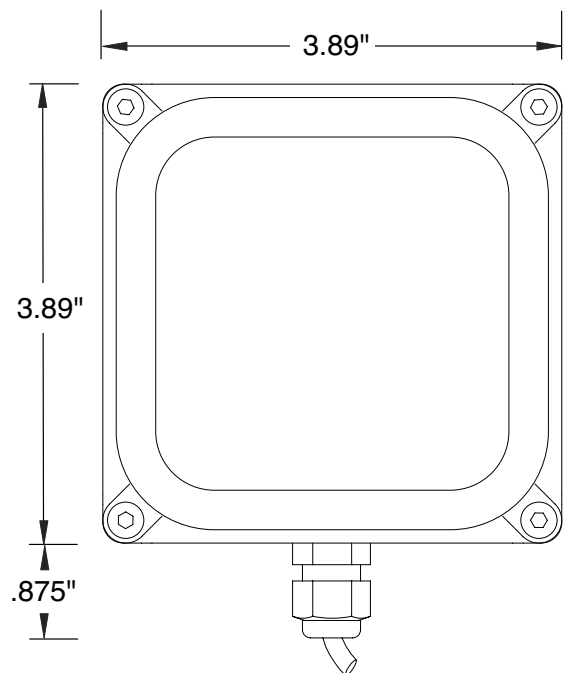
Pipe Sizes	3" to 48" (up to 72" optional)	
Materials	Shaft/Fitting	316 SS or Brass
	Electrodes	Hastelloy
	Electrode Cap	PVDF
	Housing	Cast powder-coated aluminum
	Valve Assembly (115/215 Only)	Bronze (stainless optional) with bronze ball valve
	O-Ring (115/215 Only)	EPDM
Power	Full Power	12-25 Vdc, 250 mA
	Low Power	12-25 Vdc, 40 mA average with 250 mA peaks
Flow Range	0.28 to 20 ft/sec (0.08 - 6.09 m/sec)	
Fitting Size	EX101/201	EX115/215
	1-1/2" Male NPT	2" Male NPT
Temperature	Ambient	0° to 160° F (-17° to 72° C)
	Fluid	32° to 200° F (0° to 93° C)
Pressure	200 psi (13.8 bar)	
Minimum Conductivity	20 microSiemens/cm	
Calibration Accuracy	+/- 1% of full scale	
Output	Square wave pulse, opto isolated, 550 Hz @ 20 ft/sec 6 mA max, 30 Vdc forward flow standard; reverse flow optional	
Empty Pipe Detection	Software, defaults to zero flow	
Regulatory		

*Specifications subject to change • Please consult our website for current data (www.seametrics.com).

DIMENSIONS



Flow Range (GPM)		
Nominal Pipe Size	Min. Flow	Max. Flow
3	6	440
4	11	783
6	25	1,762
8	44	3,133
10	69	4,895
12	99	7,050
14	134	9,596
16	175	12,533
18	222	15,863
20	274	19,584
24	395	28,200
30	617	44,064
36	888	63,452
48	1,580	112,804





EX100/200-SERIES Insertion Electromagnetic Flow Sensor

HOW TO ORDER

MODEL

3" - 10" pipe size = **EX101**
10" - 48" pipe size = **EX201**
3" - 10" hot tap = **EX115**
10" - 48" hot tap = **EX215**

MATERIAL

Brass = **B**
316 stainless steel = **S**

OPTIONS

Adapter fitting, 2" threads (101/201 only) = **-02**
Stainless valve assembly (115/215 only) = **-08**
No valve assembly (115/215 only) = **-09**
Reverse flow output = **-15**
*Immersible = **-40**
Low power option = **-50**
12" extension (201 & 215 only) = **-72**

*Consult factory for suitable applications

ACCESSORIES

Rate & Total Indicator w/4-20 mA output = **FT420**
Blind 4-20 mA Transmitter = **AO55**
Pulse Divider = **PD10**

Data Logger = **DL76**
Saddle Fittings = **Consult Factory**
Dual Power Supply, 110-115 Vac, 24 Vdc = **PC42**

CONTACT YOUR SUPPLIER