



APPLICATIONS

Usage monitoring, such as:

- Industrial wastewater discharge monitoring
- Cooling tower deduct metering
- Heap leach mining discharge monitoring
- Well monitoring
- Turf and landscape water monitoring

FEATURES

- Simple as a mechanical meter
- No moving parts
- Minimal straight pipe required
- Battery powered
- Built-in rate & total indicator
- Corrosion resistant



GENERAL INFORMATION

The WMP104 is a full-bore, plastic-bodied electromagnetic flow meter designed for flow and usage monitoring applications in 2" pipe. The polypropylene flow tube offers corrosion resistance to a wide range of chemicals. Its light weight and clamp flanges allow it to be easily installed or removed from the pipe for inspection*. There are multiple adapters available to allow for a wide variety of pipe mounting configurations.

With no moving parts, the magmeter permits unobstructed flow, minimizing flow disturbances and hence, straight pipe requirements. The WMP104 can be used in piping configurations where there is little space between the meter and an elbow or valve. The WMP104, like other magmeters, is resistant to wear from sand and debris found in ground or surface water. Since there are no bearings or propeller to wear out, downtime and maintenance and repair costs are kept to a minimum. Because there are no mechanical parts

in the flow stream, the meter tolerates high flows without damage.

The hinged, opaque polyethylene cover protects from dust and UV rays, while permitting easy access to the LCD flow rate and total display. The electronics housing is made of rugged powder-coated die-cast aluminum. It can be fitted with cross-drilled screws and seal wire for tamper-evidence. Flow rate and total can be displayed in a variety of units, customer-selected and factory-set.

The WMP104 is used for tracking flow rate and total flow in usage monitoring applications, for instance, in compliance with regulatory requirements. These would include wells, industrial wastewater, heap leach mining discharge, cooling tower deduct metering, turf and landscape applications, and other water reclamation operations.

**Use Banjo® fittings or SeaMetrics WMP Fittings Kit*

FEATURES

Polyethylene protective cover

LCD rate and total indicator

Powder-coated diecast-aluminum electronics housing

Cross-drilled screws (2) for tamper-evidence

Clamping flanges for ease of installation

316SS electrodes

Corrosion-resistant glass-filled polypropylene body
Lightweight for easy handling



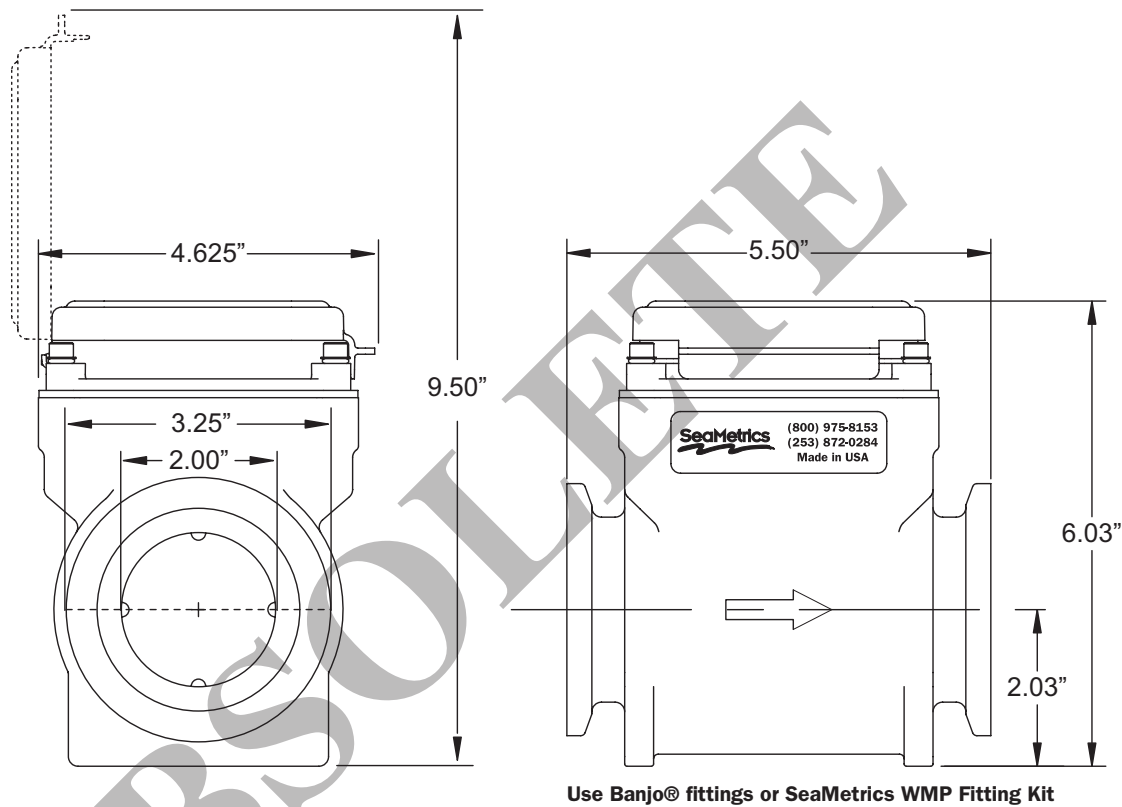
SeaMetrics Fitting Kit

SPECIFICATIONS*

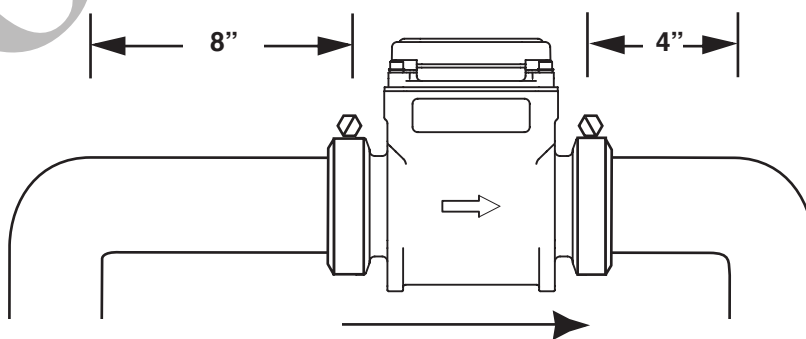
Pipe Size	2" full port		
Fittings	Flange clamps		
Pressure	150 psi or 10.3 bar working pressure @ 70° F		
Operating Temperature Range	10° to 130° F (-12° - 54° C)		
Accuracy	+/-1% of reading from 100% to 10% of full scale		
	+/-3% of reading to cut off		
Flow Range	Minimum	6 gallons per minute (.375 liters per second)	
	Maximum	300 gallons per minute (18.9 liters per second)	
Materials	Body	Glass-filled polypropylene	
	Electrodes	316 stainless steel	
	Electronics Housing	Diecast aluminum, powder-coated	
	Display Cover	Polyethylene	
Display	Digits Units	Rate	Total
		6	8
		Gallons/Minute	Acre-Feet; Acre-Inch; Gallons x 1000; or Cubic Feet
		Cubic Feet/Second	Cubic Feet
		Cubic Feet/Minute	Acre-Feet
		Liters/Second	Cubic Meters; or Megaliters
		Liters/Minute	Cubic Meters
Cubic Meters/Minute	Cubic Meters		
Security	Cross-drilled screws and tamper-evident seal		
Power	6 AA alkaline cells, replaceable Life: 1 year with meter in use; 3 years dry		
Empty Pipe Detection	Hardware/software, conductivity-based		
Environmental	NEMA 4X standard; -40° to 176° F (-40° to 80° C) storage		

*Specifications subject to change • Please consult our website for current data (www.seametrics.com).

DIMENSIONS



STRAIGHT PIPE RECOMMENDATIONS



*Minimal straight pipe required between elbows.
For other piping configurations, consult factory.*

FLOW RANGE

	Gal/Min	Liter/Sec
Minimum	6	.375
Maximum	300	18.9

HOW TO ORDER

MODEL WMP104 <div style="background-color: #e0e0e0; padding: 2px; text-align: center;">WMP104</div>	SIZE 2" = -200 <div style="background-color: #e0e0e0; padding: 2px; text-align: center;">-200</div>	OPTIONS Tamper-evident screws and wire = -TE <div style="background-color: #e0e0e0; padding: 2px; text-align: center;"> </div>	UNITS <table style="width: 100%; border-collapse: collapse;"> <thead> <tr> <th style="text-align: left; border-right: 1px solid black; border-bottom: 1px solid black;">RATE</th> <th style="text-align: left; border-bottom: 1px solid black;">TOTAL</th> <th style="text-align: left; border-bottom: 1px solid black;">ORDER</th> </tr> </thead> <tbody> <tr> <td style="border-right: 1px solid black;">Gal/Min</td> <td>Acre Ft</td> <td>= GPM/AF</td> </tr> <tr> <td style="border-right: 1px solid black;">Gal/Min</td> <td>Acre Inch</td> <td>= GPM/AI</td> </tr> <tr> <td style="border-right: 1px solid black;">Gal/Min</td> <td>Gal x 1000</td> <td>= GPM/GT</td> </tr> <tr> <td style="border-right: 1px solid black;">Gal/Min</td> <td>Cubic Feet</td> <td>= GPM/CF</td> </tr> <tr> <td style="border-right: 1px solid black;">Cu Ft/Sec</td> <td>Cu Ft</td> <td>= CFM/CF</td> </tr> <tr> <td style="border-right: 1px solid black;">Cu Ft/Min</td> <td>Acre Ft</td> <td>= CFS/AF</td> </tr> <tr> <td style="border-right: 1px solid black;">Liters/Sec</td> <td>Cu Meters</td> <td>= LPS/CM</td> </tr> <tr> <td style="border-right: 1px solid black;">Liters/Sec</td> <td>Megaliters</td> <td>= LPS/ML</td> </tr> <tr> <td style="border-right: 1px solid black;">Liters/Min</td> <td>Cu Meters</td> <td>= LPM/CM</td> </tr> <tr> <td style="border-right: 1px solid black;">Cu Meter/Min</td> <td>Cu Meters</td> <td>= CMM/CM</td> </tr> </tbody> </table> <div style="background-color: #e0e0e0; padding: 2px; text-align: center; margin-top: 5px;"> </div>	RATE	TOTAL	ORDER	Gal/Min	Acre Ft	= GPM/AF	Gal/Min	Acre Inch	= GPM/AI	Gal/Min	Gal x 1000	= GPM/GT	Gal/Min	Cubic Feet	= GPM/CF	Cu Ft/Sec	Cu Ft	= CFM/CF	Cu Ft/Min	Acre Ft	= CFS/AF	Liters/Sec	Cu Meters	= LPS/CM	Liters/Sec	Megaliters	= LPS/ML	Liters/Min	Cu Meters	= LPM/CM	Cu Meter/Min	Cu Meters	= CMM/CM
RATE	TOTAL	ORDER																																		
Gal/Min	Acre Ft	= GPM/AF																																		
Gal/Min	Acre Inch	= GPM/AI																																		
Gal/Min	Gal x 1000	= GPM/GT																																		
Gal/Min	Cubic Feet	= GPM/CF																																		
Cu Ft/Sec	Cu Ft	= CFM/CF																																		
Cu Ft/Min	Acre Ft	= CFS/AF																																		
Liters/Sec	Cu Meters	= LPS/CM																																		
Liters/Sec	Megaliters	= LPS/ML																																		
Liters/Min	Cu Meters	= LPM/CM																																		
Cu Meter/Min	Cu Meters	= CMM/CM																																		

Consult factory for additional units

ACCESSORIES

SeaMetrics WMP Fitting Kit = 31980

- 2 FNPT threaded adapters
- 2 flange clamps
- 2 EPDM gaskets

CONTACT YOUR SUPPLIER