

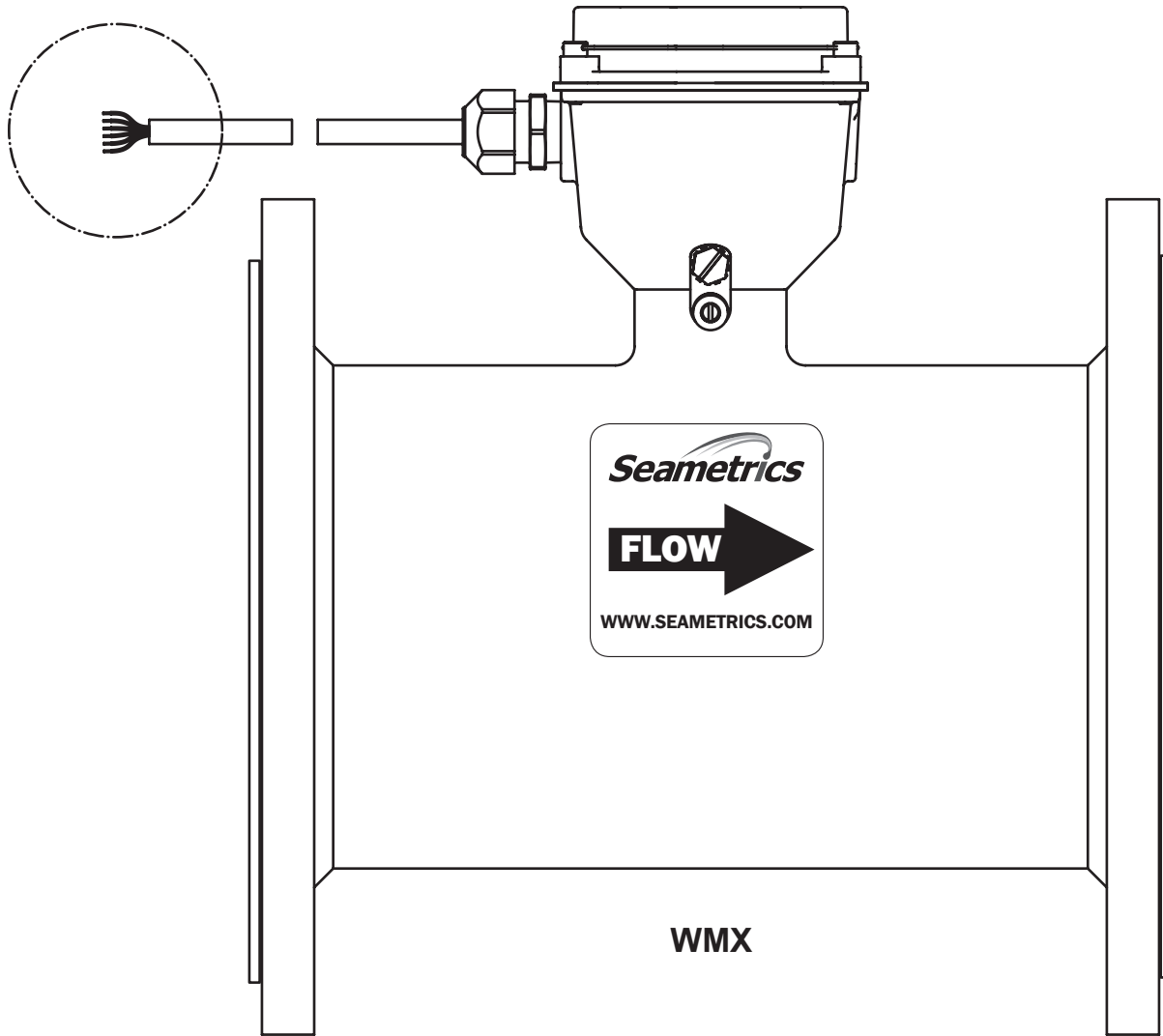


Seametrics

ISO 9001:2008
CERTIFIED COMPANY

CONNECTIONS

WMX Industrial/Municipal Magmeter



INSTALLING THE DC30/DC35 OPTIONAL CABLE

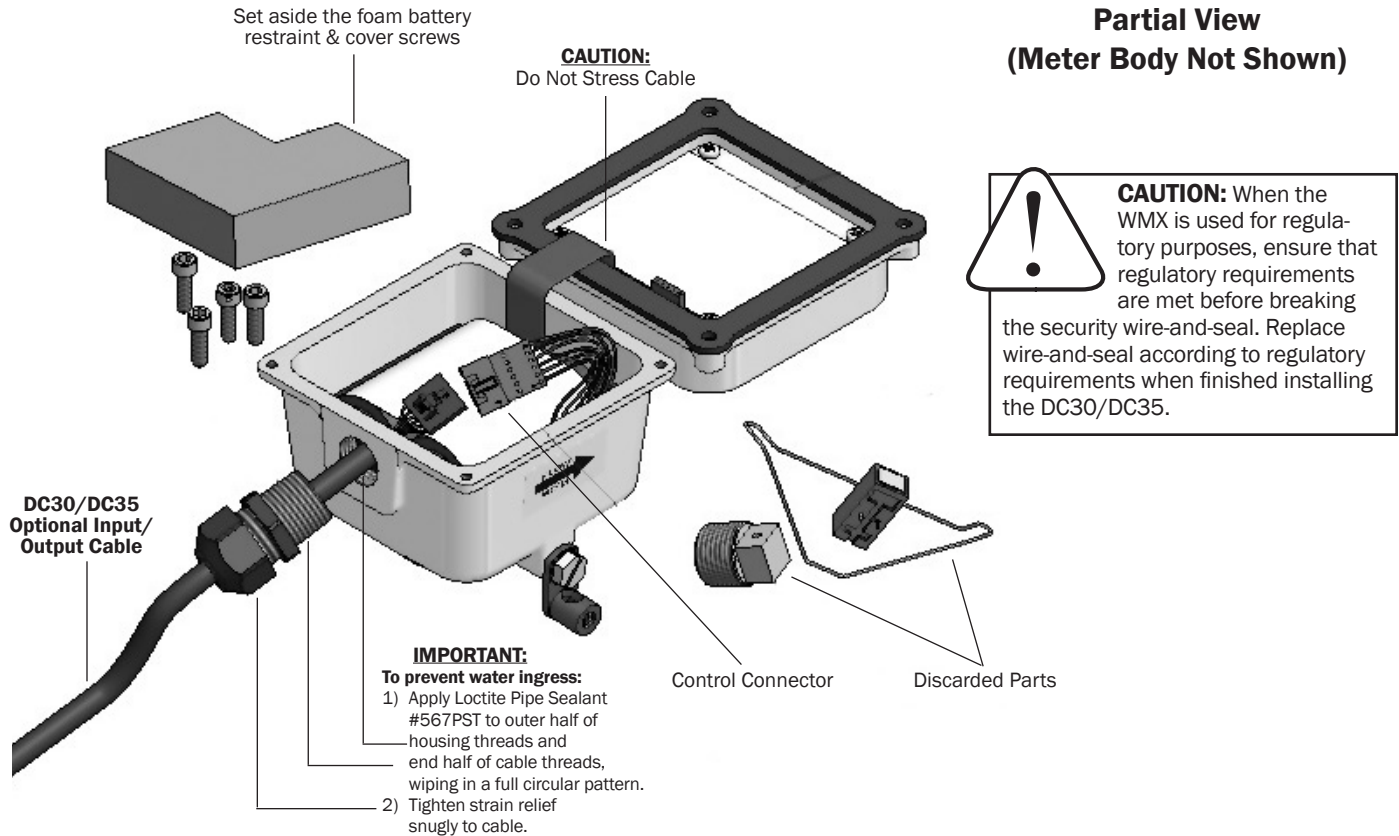
Use the diagram below as a guideline for installing the DC30/DC35 optional input/output cable to the WMX meter.
(NOTE: If you ordered the input/output cable factory-installed, you may disregard this step.)

Then proceed to the appropriate wiring diagram for your application on subsequent pages.



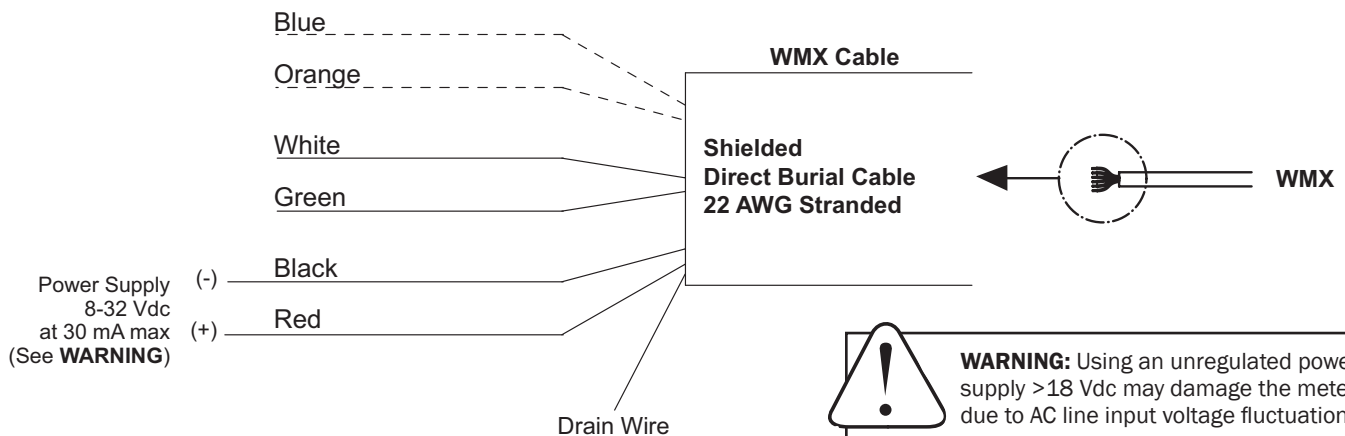
WARNING: ELECTRICAL SHOCK HAZARD

When the WMX is externally AC powered, the piping system and the meter must be grounded to meet national and local electrical safety codes. Failure to do so can result in electrocution.

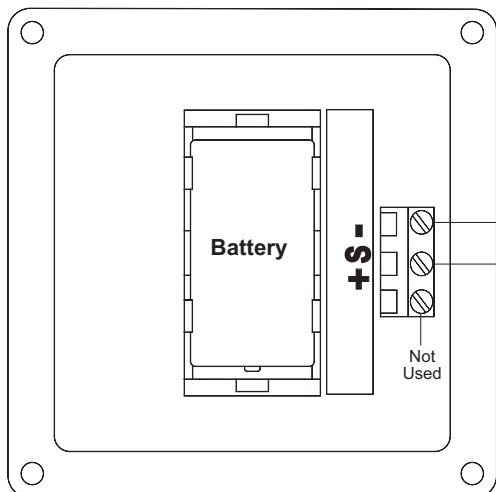


EXTERNAL POWER

Orange and Blue: Serial Output (Technician Use Only)
Green (+) and White (-): Pulse Output, 30 Vdc max, 10 mA max
Red (+) and Black (-): External Power, 8-32 Vdc at 30 mA max
Drain: Connect to earth ground (See **WARNING**)

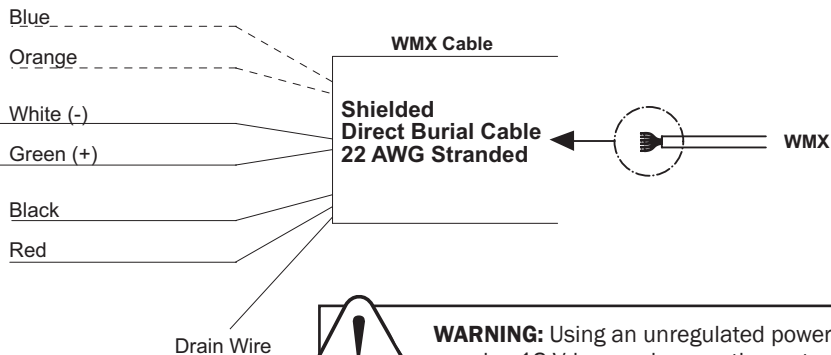


DL75 or DL76/WMX



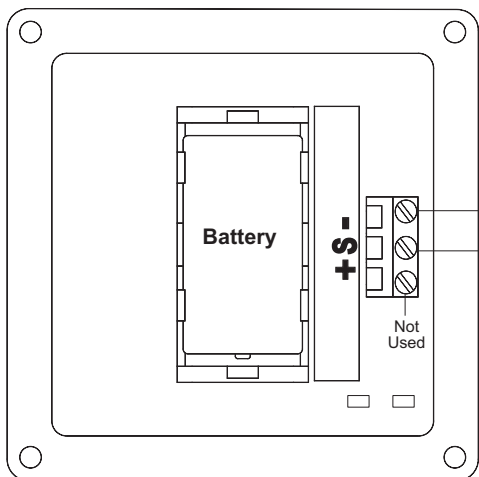
DL75 or DL76

Orange and Blue: Serial Output (Technician Use Only)
Green (+) and White (-): Pulse Output, 30 Vdc max, 10 mA max
Red (+) and Black (-): External Power, 8-32 Vdc at 30 mA max
Drain: Connect to earth ground (See **WARNING**)



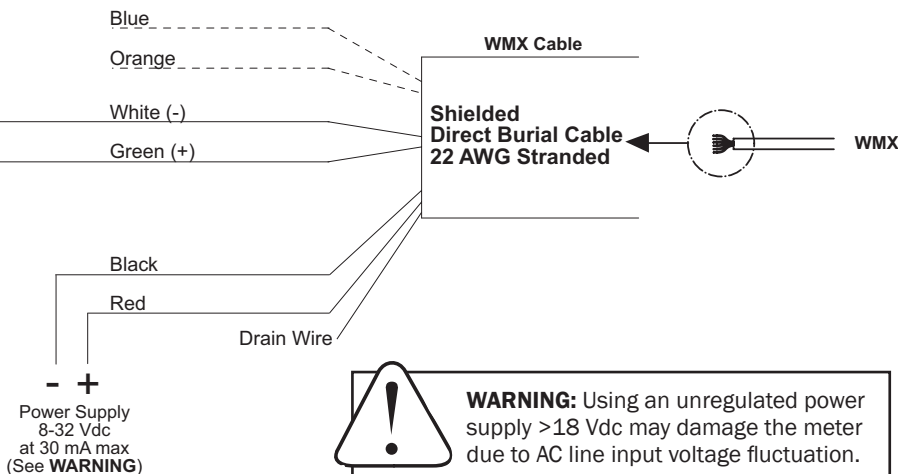
WARNING: Using an unregulated power supply >18 Vdc may damage the meter due to AC line input voltage fluctuation.

DL75 or DL76/EXTERNAL POWER/WMX



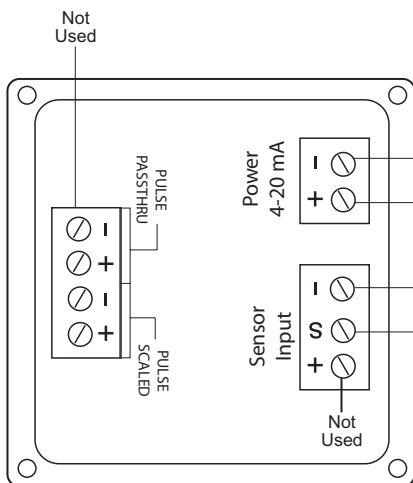
DL75 or DL76

Orange and Blue: Serial Output (Technician Use Only)
Green (+) and White (-): Pulse Output, 30 Vdc max, 10 mA max
Red (+) and Black (-): External Power, 8-32 Vdc at 30 mA max
Drain: Connect to earth ground (See **WARNING**)



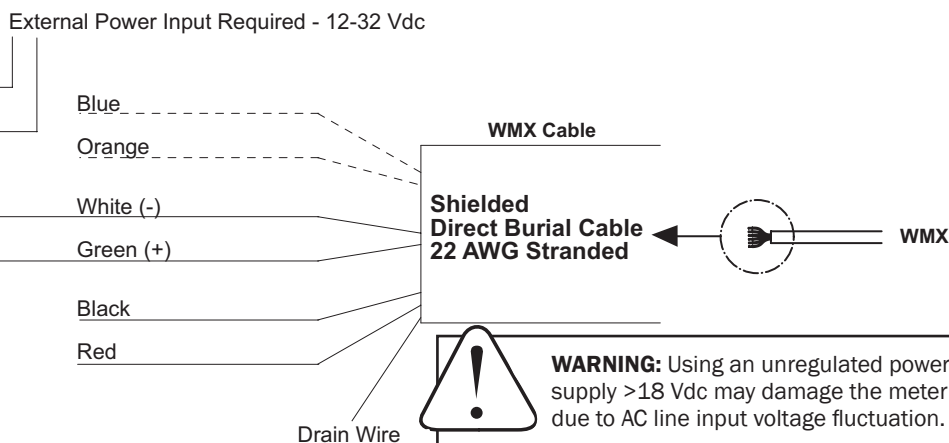
WARNING: Using an unregulated power supply >18 Vdc may damage the meter due to AC line input voltage fluctuation.

FT420/WMX



FT420

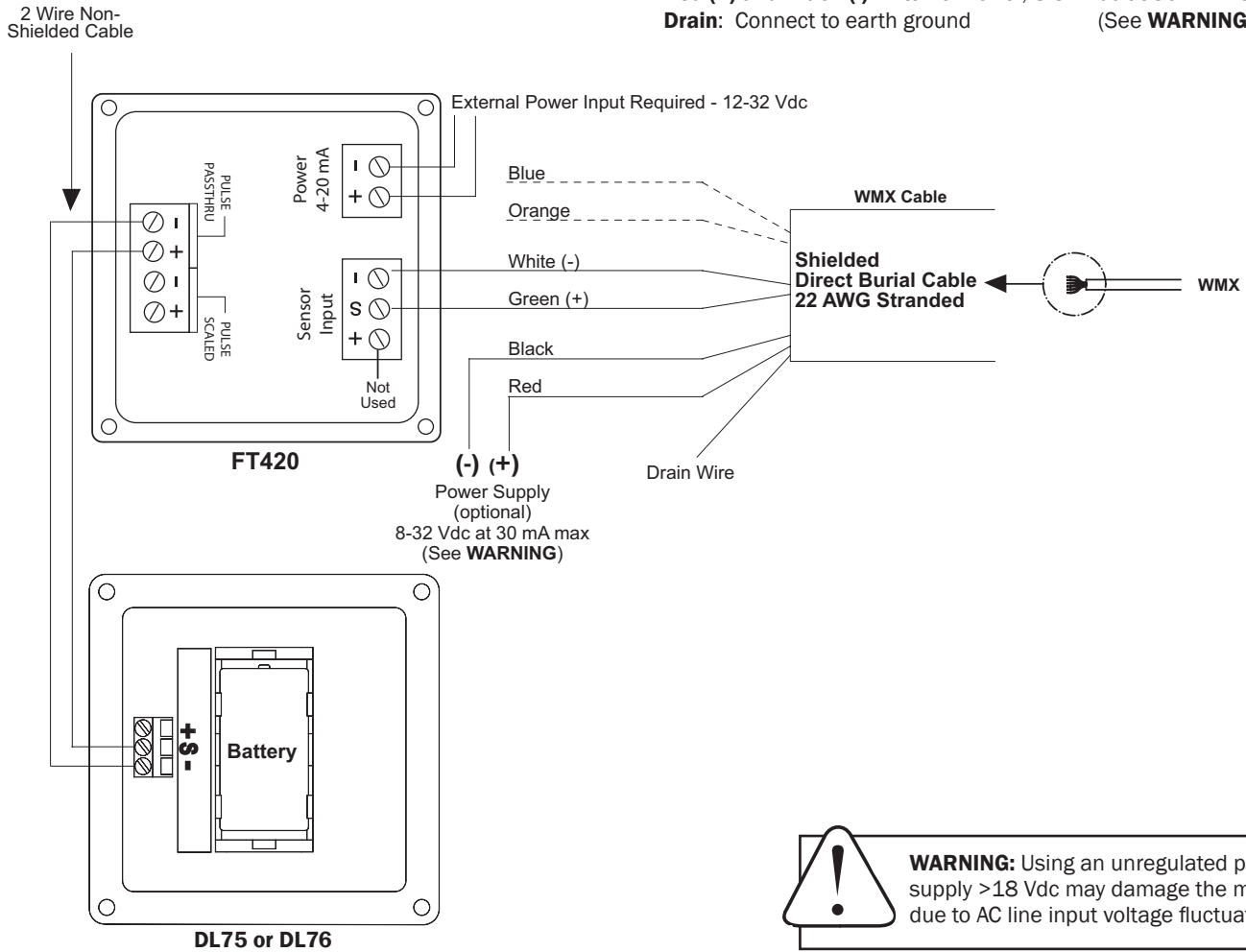
Orange and Blue: Serial Output (Technician Use Only)
Green (+) and White (-): Pulse Output, 30 Vdc max, 10 mA max
Red (+) and Black (-): External Power, 8-32 Vdc at 30 mA max
Drain: Connect to earth ground (See **WARNING**)



WARNING: Using an unregulated power supply >18 Vdc may damage the meter due to AC line input voltage fluctuation.

**FT420/DL75 or DL76/WMX
WITH OR WITHOUT EXTERNAL POWER**

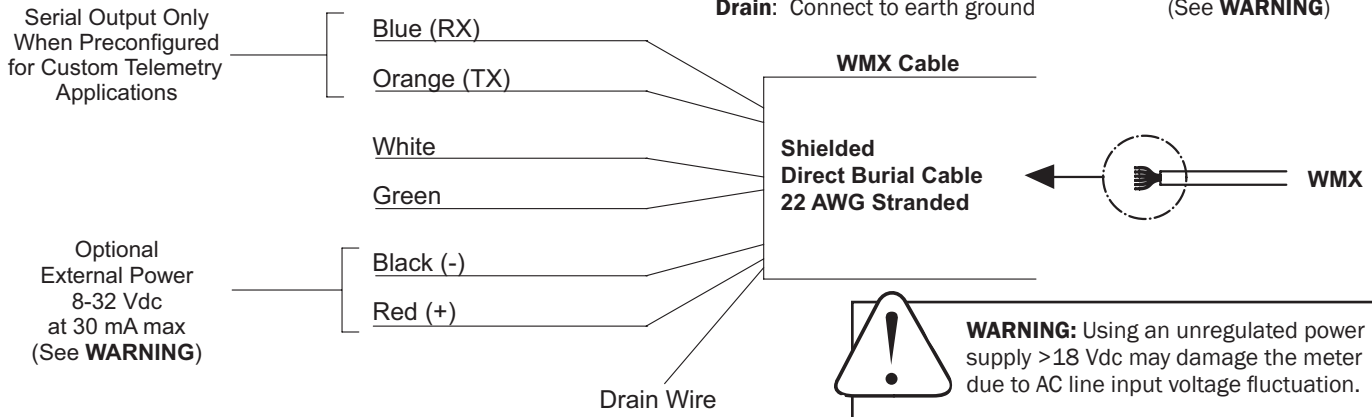
Orange and Blue: Serial Output (Technician Use Only)
Green (+) and White (-): Pulse Output, 30 Vdc max, 10 mA max
Red (+) and Black (-): External Power, 8-32 Vdc at 30 mA max
Drain: Connect to earth ground (See **WARNING**)



TELEMETRY

Connect serial output to telemetry device according to manufacturer's specifications for that device.

Orange (TX) and Blue (RX): Serial Output (Technician Use Only)
RX is serial input to WMX
TX is serial output from WMX
Green (+) and White (-): Pulse Output, 30 Vdc max, 10 mA max
Red (+) and Black (-): External Power, 8-32 Vdc at 30 mA max
Drain: Connect to earth ground (See **WARNING**)



Seametrics Incorporated • 19026 72nd Avenue South • Kent, Washington 98032 • USA

(P) 253.872.0284 • (F) 253.872.0285 • 1.800.975.8153 • www.Seametrics.com

LT-65200369-053012
5/30/12