



### General Information

This unique system of 2" to 8" turbine meters uses one moving part, a precise helical rotor. Rotation of the rotor is electronically detected and processed. High-quality jewel bearings and polished zirconia ceramic shafts minimize friction while providing long wear life in non-lubricating fluids. The entire rotor assembly can be easily taken out of the meter for field service, without removing the meter from the pipe.

WT-C bodies are fabricated from carbon steel tubing. Turbine rotors are Kynar (PVDF).

An electronic register (identical to the SeaMetrics FT420) can be mounted on the meter to display flow rate, total (resettable or non-resettable) and provide a programmable pulse output. The same unit, in a wall mount or panel mount housing, can be located up to 2,000 feet away. It is not necessary to have any processing electronics on the meter itself unless local reading is desired. Other electronics options (which can again be meter or remote mounted include the AO55 blind 4-20 mA transmitter, the PD10 divider, and a battery-powered (FT415) ratemeter/totalizer .

### Specifications

#### Materials

Meter Body	Painted Carbon Steel
Turbine Insert	CF8M Cast Stainless
Turbine Rotor	Kynar (PVDF)
Shafts	Ceramic
Bearings	Sapphire journal, ruby endstone

#### Power

6-24 VDC

#### Maximum Pressure

200 psi (14 bar)

#### Maximum Temperature

200° F (93° C)

#### Accuracy

± 1% FS

#### Flow Range (GPM)

	2"	3"	4"	6"	8"
<b>Min</b>	3	4	6	12	30
<b>Max</b>	150	400	600	1200	3000

## Features

Modular electronics for a wide range of applications

- Rate/Total and pulse output
- Analog 4-20 mA
- Programmable pulse only
- Battery-powered totalizer

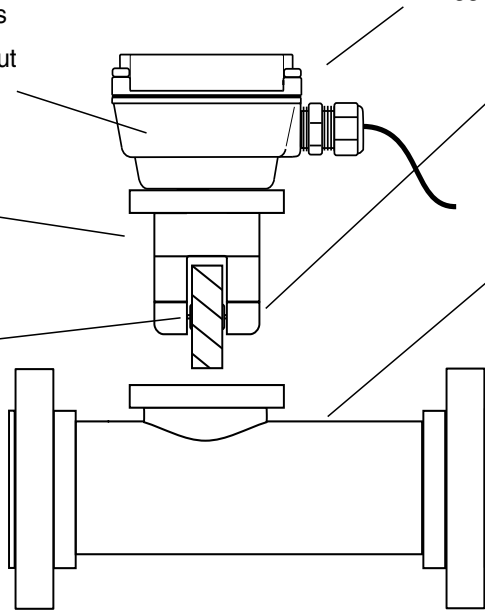
Cast stainless steel insert removes easily for service

Rotor is the only moving part

Rugged cast housing

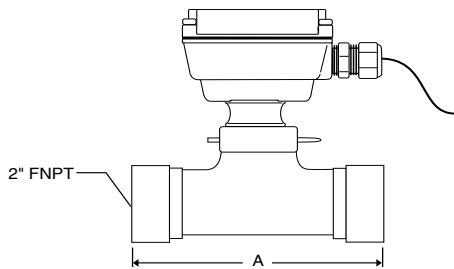
Sapphire journal bearings for long life and low minimum flow

Fabricated carbon steel body, 150 lb. drilling flanges (female NPT in 2")



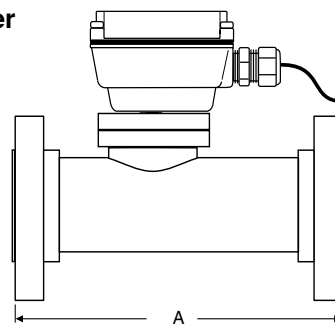
## Dimensions

2" Meter



3" - 8" Meter

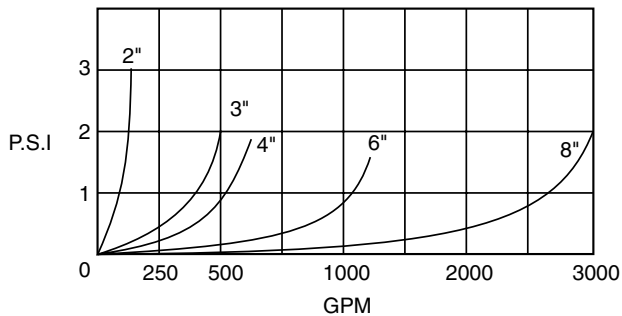
Flange 150 lb drilling



Meter Size	Dim. A
2"	8" *
3"	12"
4"	14"
6"	18"
8"	20"

\* Female NPT threaded ends standard, flange or weld ends available

Pressure Loss Chart



## How To Order

- WT100C - (Size)** Electronic turbine, pulse output only
- WT101C - (Size)** Electronic turbine, rate, total, pulse output, 4-20 mA output
- WT102C - (Size)** Electronic turbine with 4-20 mA only
- WT104C - (Size)** Electronic turbine with battery powered LCD rate and total display

**SeaMetrics**

19026 72nd Ave S, Kent WA. 98032 USA  
 Phone: 253-872-0284 Fax: 253-872-0285  
[www.seametrics.com](http://www.seametrics.com) 1-800-975-8153